

# Capacitive level switches for hazardous areas - high temperature | KGFTa 150 Ex

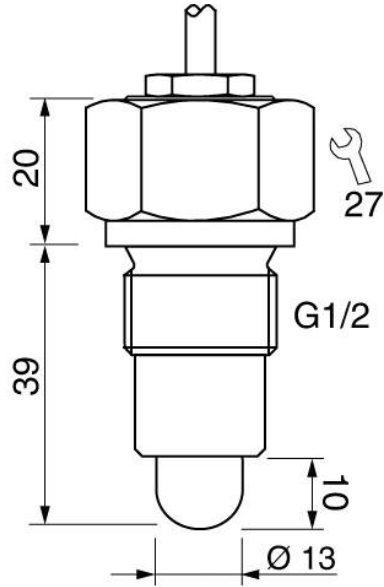
- Level monitor for use up to 180 ° C
- Mounting in zone 0 (gas)
- Mounting in partition wall zone 0 / zone 1 (gas)
- Compact design



## Process connection G1/2

<b>TYPE</b>	KGFTa 150 Ex
<b>Product ID</b>	P21244
<b>Switching Point</b>	-8 mm
<b>Ex area of use</b>	Zone 0, Zone 0, partition wall Zone 0 / Zone 1
<b>ATEX Certificate</b>	EPS 19 ATEX 1 263 X
<b>IECEX Certificate</b>	IECEX EPS 19.0116X
<b>ATEX marking gas</b>	Ex II 1/2 G Ex ia/ib IIC T6...T3 Ga/Gb / Ex II 1G Ex ia IIC T6...T3 Ga
<b>IECEX marking gas</b>	Ex ia/ib IIC T6...T3 Ga/Gb / Ex ia IIC T6...T3 Ga
<b>Ambient temperature gas zone 0 T6</b>	-20 ... 80 °C
<b>Ambient temperature gas zone 0 T5</b>	-20 ... 95 °C
<b>Ambient temperature gas zone 0 T4</b>	-20 ... 130 °C
<b>Ambient temperature gas zone 0 T3</b>	-20 ... 180 °C
<b>Material sensor touched by medium</b>	stainless steel AISI 316 Ti, PEEK
<b>Seal material</b>	PTFE / FKM
<b>Protection [EN 60529]</b>	Sensor: IP 68 (3 bar) / LEMO-Anschluss: IP 54
<b>Electrical connection</b>	2 m PTFE cable plug system LEMO (series B)
<b>Accessories</b>	ex pre-amplifier KKa 030 Ex / ex amplifier IKMb 123 Ex-...

Technical Image



Pin Map

