

## Sensors with integrated amplifier | SC 440-A4-GSP

- G1/2 screw-in sensor for flow monitoring of liquid media
- Corrosion-proof stainless steel housing AISI 316 Ti
- Immersion depth 31 mm
- LED line for flow status
- M12 plug system
- PNP-NO switching output
- Adjustment with potentiometer



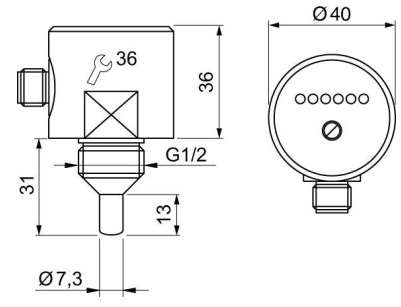
### G1/2 - sensor length 31 mm - PNP-NO - M12 connector

<b>TYPE</b>	SC 440-A4-GSP
<b>Product ID</b>	P10521
<b>Medium</b>	Water, oil
<b>Detection range water</b>	1 ... 150 cm/s
<b>Detection range Oil</b>	3 ... 300 cm/s
<b>Process connection</b>	G1/2
<b>Sensor length L</b>	31 mm
<b>Output</b>	switching output
<b>Output function</b>	PNP-NO
<b>Supply voltage</b>	24 VDC +/- 20 %
<b>Current consumption max.</b>	70 mA
<b>Switching current max.</b>	400 mA (20 °C)
<b>Reverse polarity protection</b>	✓
<b>Voltage drop max.</b>	2.5 V
<b>Ambient temperature</b>	-20 ... 80 °C
<b>Medium temperature</b>	-20 ... 80 °C
<b>Temperature gradient fluids</b>	250 K/min
<b>Start-up time typ.</b>	8 s (2 ... 15 s)
<b>Reaction time typ.</b>	2 s (1 ... 13 s)
<b>Compressive strength</b>	100 bar

<b>Material sensor touched by medium</b>	stainless steel AISI 316 Ti
<b>Material housing</b>	stainless steel AISI 303, stainless steel AISI 316 Ti, brass, PA
<b>Protection [EN 60529]</b>	IP 67
<b>Electrical connection</b>	M12 connector
<b>Accessories</b>	connecting cable SLG 3-2, SLG 3-5, SLW 3-2, SLW 3-5

**Accessories (in scope of delivery)**  
 2 x gasket G1/2 AFM 34, screwdriver

Technical Image



Pin Map

